



MIMETISM AUDIO - MA 45.2 - INSTRUCTIONS

| | | |
|--|--|------|
| |  The logo is identical to the one above, but the dot above the word 'MIMETISM' is blue. | 45.2 |
|--|--|------|



MIMETISM AUDIO - MA 45.2 - TABLE OF CONTENTS

| | | | |
|---|--------------|---|----------------------|
| 1 | Owner'Manual | 2 | Table of Contents |
| 3 | Safety | 4 | Front Panel |
| 5 | Rear Panel | 6 | Speakers Connections |
| 7 | Inputs | 8 | Specifications |
| 9 | The End | | |

MIMETISM AUDIO - MA 15.2 - MA 37.2 - MA 61.2 - MA 45.2

SAFETY

ADVICE AND WARNINGS READ THIS BEFORE OPERATING YOUR UNIT

Please read this manual carefully, to assure proper operation and the best possible performance.

Always disconnect your entire system from the AC mains before connecting or disconnecting any cables, or when cleaning any component.

This product must be terminated with a three-conductor AC mains power cord that includes an earth ground connection. To prevent shock hazard, all three connections must always be used. AC extension cords are not recommended for use with this product.

Never use flammable or combustible chemicals for cleaning audio components.

Never operate this product with any covers removed.

Never wet the inside of this product with any liquid.

Never pour or spill liquids directly onto this unit.

Never block airflow through ventilation slots or heat sinks.

Never bypass any fuse.

Never replace any fuse with a value or type other than those specified.

Never attempt to repair this product. If a problem occurs, contact your Mimetism retailer.

Never expose this product to extremely high or low temperatures.

Never operate this product in an explosive atmosphere.

Always keep electrical equipment out of the reach of children.

Always unplug sensitive electronic equipment during lightning storms.

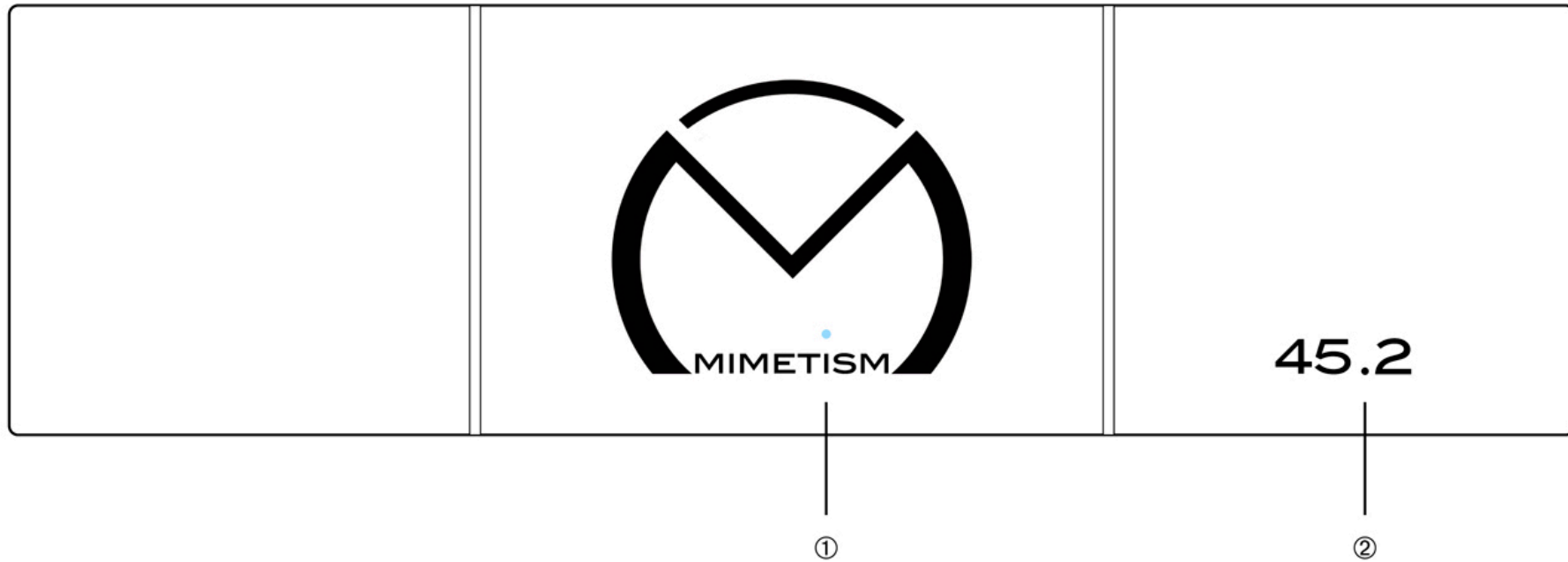
CAUTION : Do not open the chassis. There are no user serviceable parts inside the unit; leave all servicing to your local dealer.

Mimetism is set internally for 100, 115 or 230 VAC mains operation at either 50 or 60 Hz. Make sure that the label on the bottom of the unit indicates the correct AC operating voltage and for your location before connecting it to AC mains..

Marking by the "CE" symbol indicates compliance of this device with the EMC and LVD standards of the European Community.



MIMETISM AUDIO - MA 45.2 FRONT PANEL



- ① Led Standby
- ② Standby Switch

Mimetism Audio - Safety

CAUTION : Do not open the chassis. There are no user serviceable parts inside the unit; leave all servicing to your local dealer.

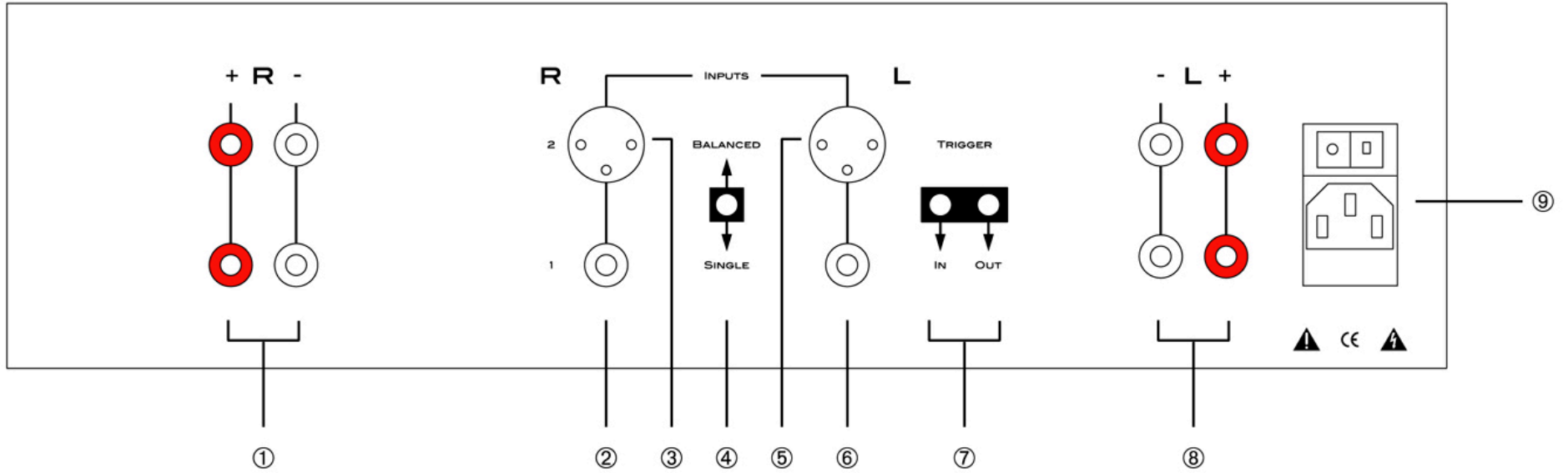
Always disconnect your entire system from the AC mains before connecting or disconnecting any cables, or when cleaning any component.

This product must be terminated with a three-conductor AC mains power cord that includes an earth ground connection. To prevent shock hazard, all three connections must always be used. AC extension cords are not recommended for use with this product.



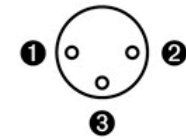
CAUTION : RISK OF ELECTRIC SHOCK. DO NOT OPEN !

MIMETISM AUDIO - MA 45.2 REAR PANEL



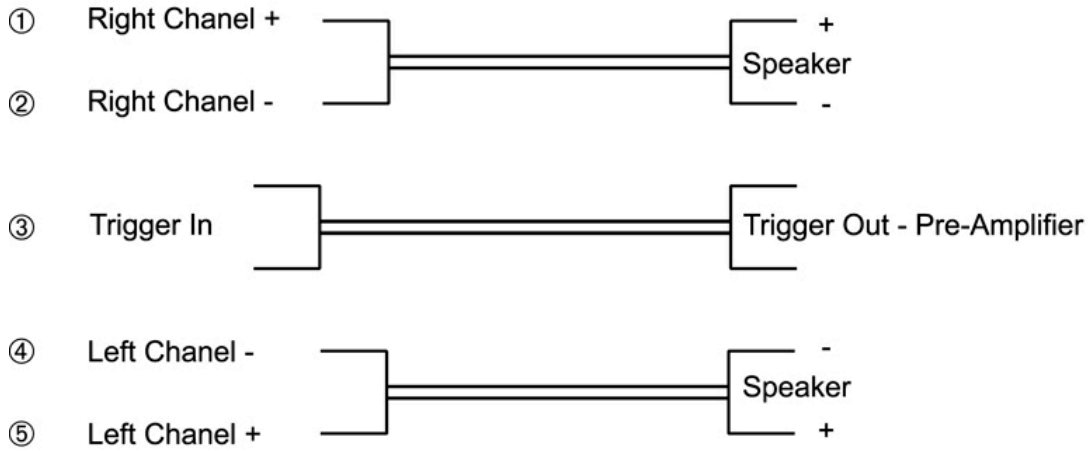
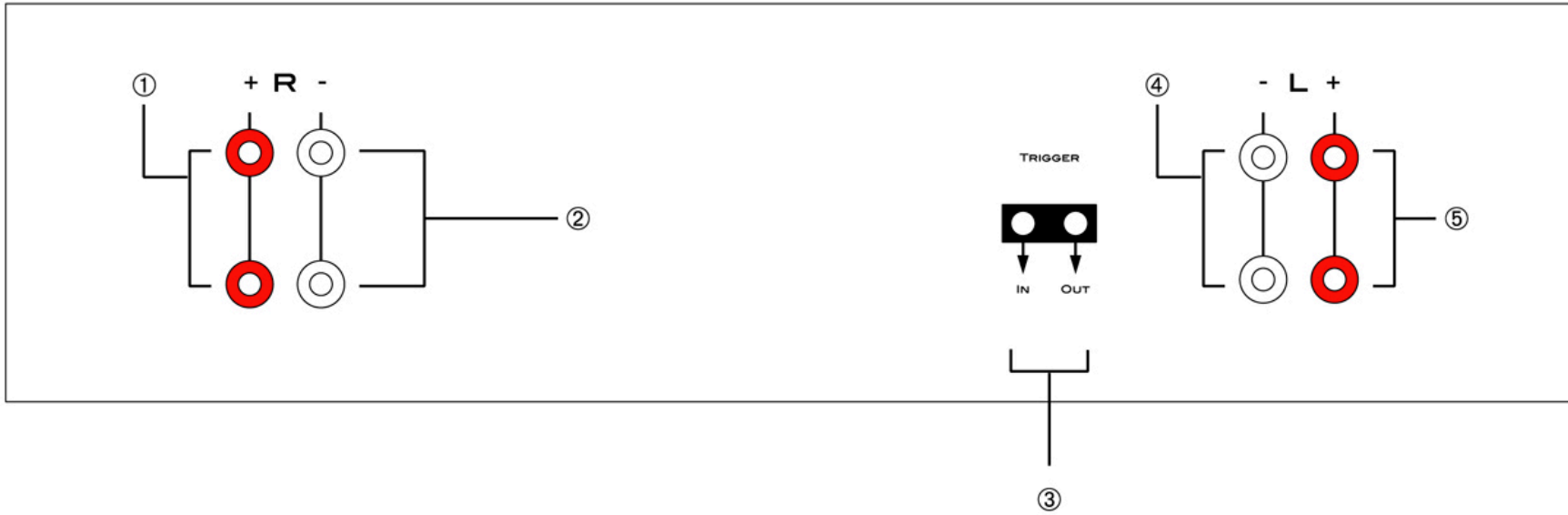
- ① Right Chanel
- ② Input 1 - XLR - Right
- ③ Input 2 - XLR - Right
- ④ Switch Inputs 1 - 2

- ⑤ Input 2 - XLR - Left
- ⑥ Input 1 - RCA - Left
- ⑦ Trigger In - Out
- ⑧ Left Chanel
- ⑨ AC Mains Input and AC Power ON / OFF Switch

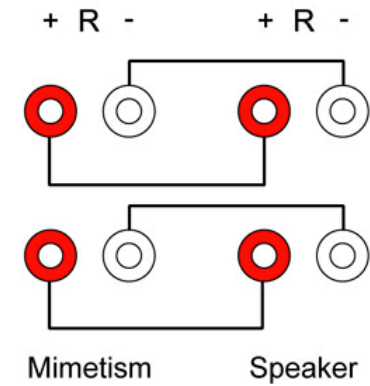


- ① Ground
- ② Signal in Phase
- ③ Signal out of Phase

MIMETISM AUDIO - MA 45.2 SPEAKERS - CONNECTIONS - TRIGGER IN - OUT

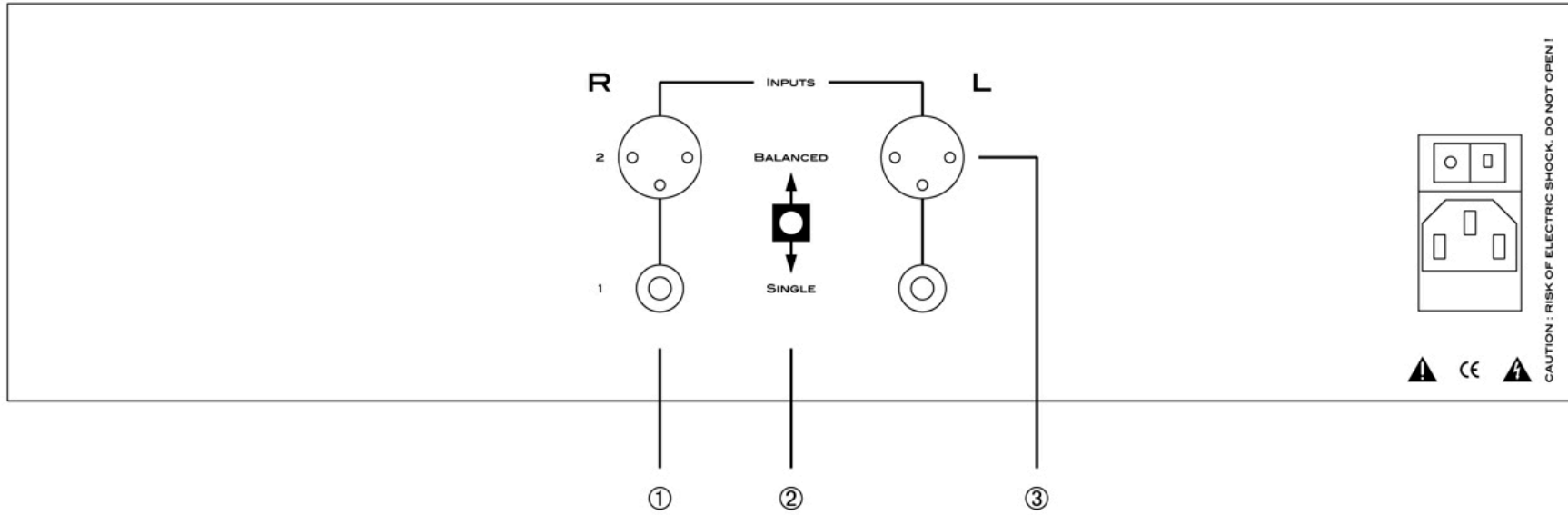


Mimetism Audio - Bi-Wiring Connections

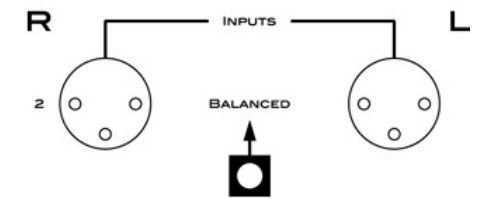
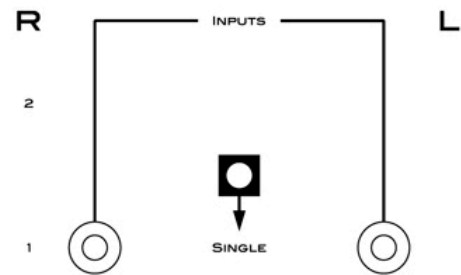
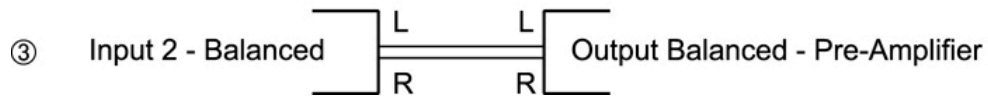
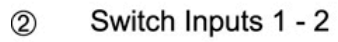
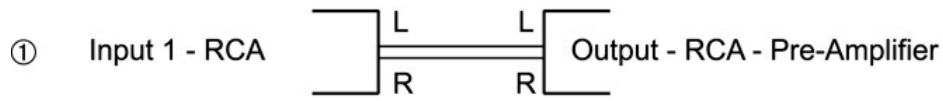


MIMETISM AUDIO - MA 45.2

INPUTS 1 - 2 - SWITCH - RCA - XLR



Mimetism Audio - Switch - Single - Balanced



MIMETISM AUDIO - MA 45.2 SPECIFICATIONS



| | |
|-----------------------|--|
| Output power | 180 W rms |
| Input sensitivity | 1.0 V rms for 150 W into 8 Ω 0.9 V rms for 150 W into 4 Ω |
| Voltage gain | 34.4 V (30.7 dB) into 8 Ω 27.1 V (28.7 dB) into 4 Ω |
| harmonic distortion | 0.007 % @ 0 dBr 0.070 % @ -30 dBr |
| dynamic | 100 dBr |
| signal to noise ratio | 100 dBr |
| residual noise | 20 Hz to 22 kHz 46 μV balanced 46 μV unbalanced |
| Voltage | 95-105 V 50-60 Hz 115-135 V 50-60 Hz 220-240 V 50-60 Hz |
| Size | 430 x 110 x 450 mm |
| Weight | 27 kg |

Mimetism - Audio products - Made in Swiss and France

Mimetism reserve the right to make changes to their products or discontinue any product or service without notice. Adequate operating safeguards must be used to minimize hazards. Reproduction of user manual information is permissible only if is without alteration and is accompagnied by all relevant conditions, limitations and notice. Source must be clearly identified when reproducing user manual information

dealer



Adress
Mimetism ™
Audio System Manufacturing
Rue du Chêne
35500 BRAIN-SUR-VILAINE
FRANCE

Tel - Fax : + 33 (0) 299.70.21.60



MIMETISM AUDIO - MA 45.2

